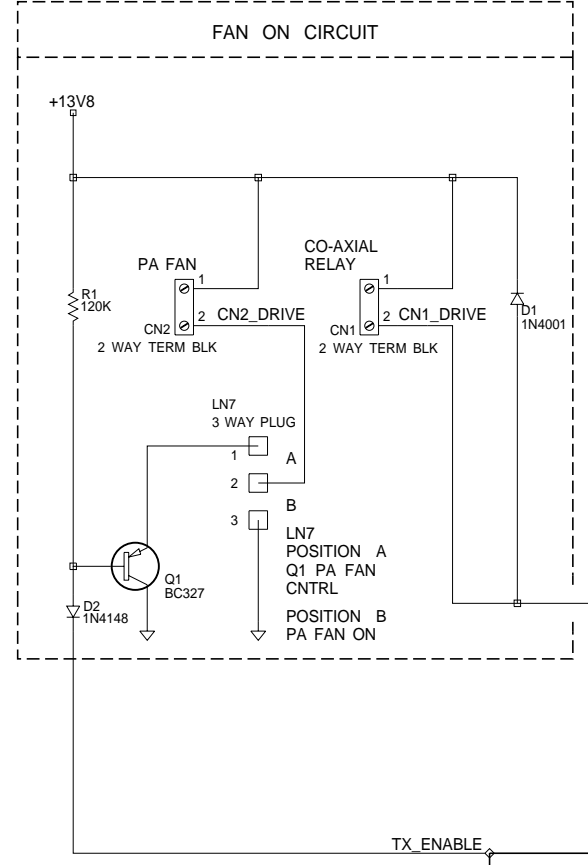
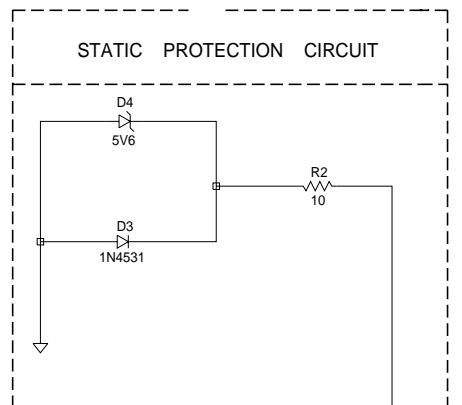
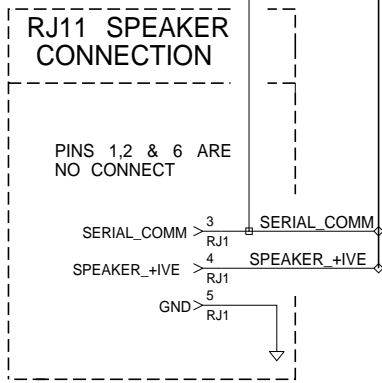
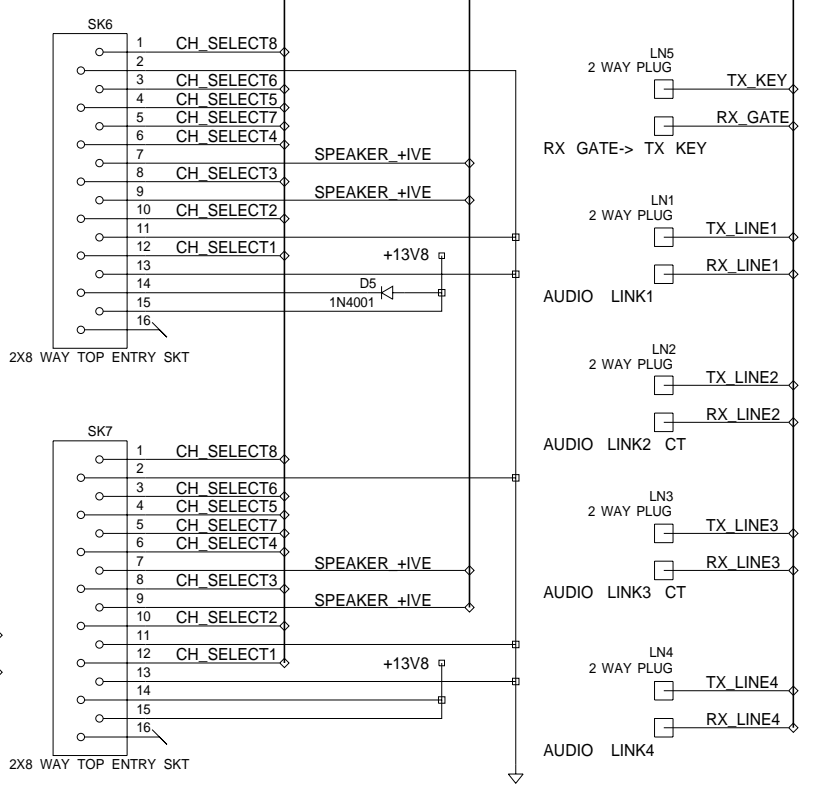
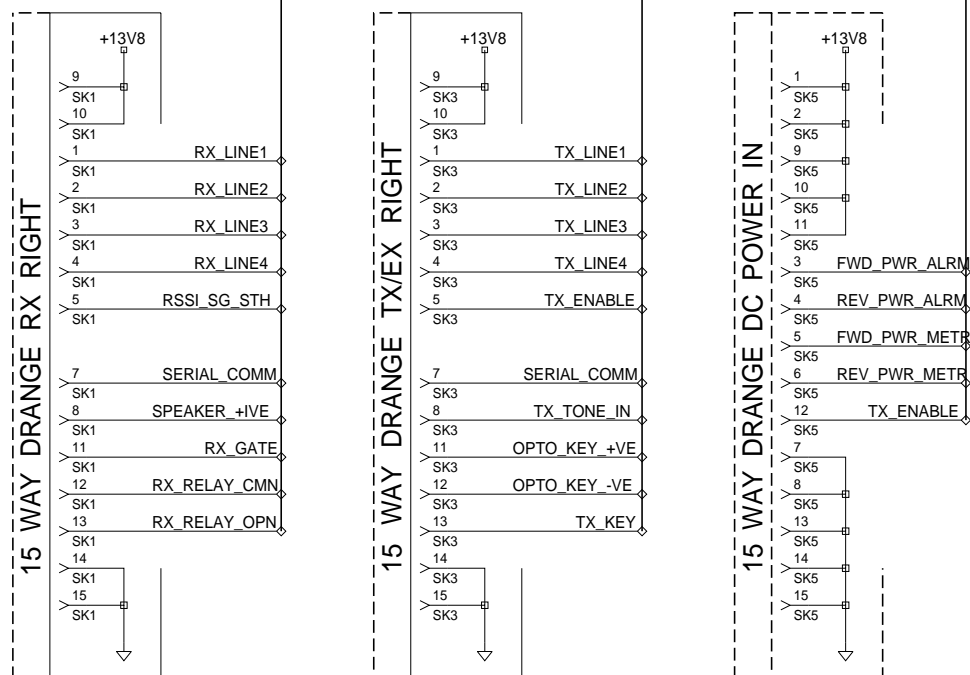
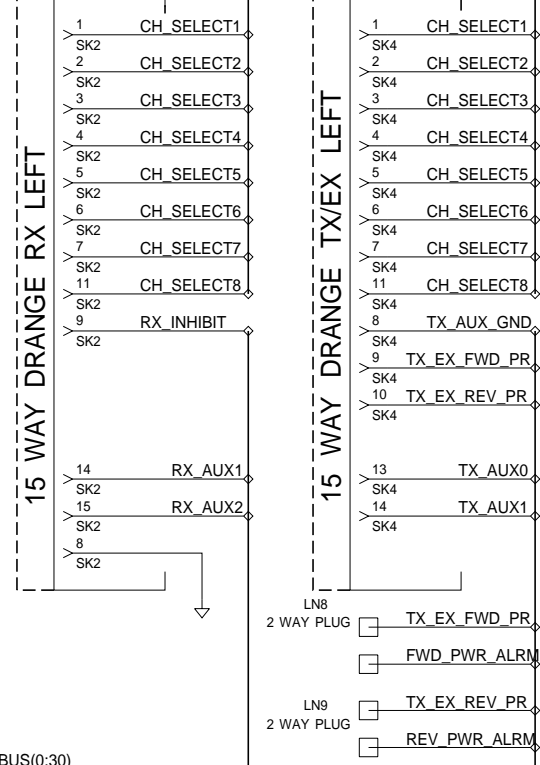
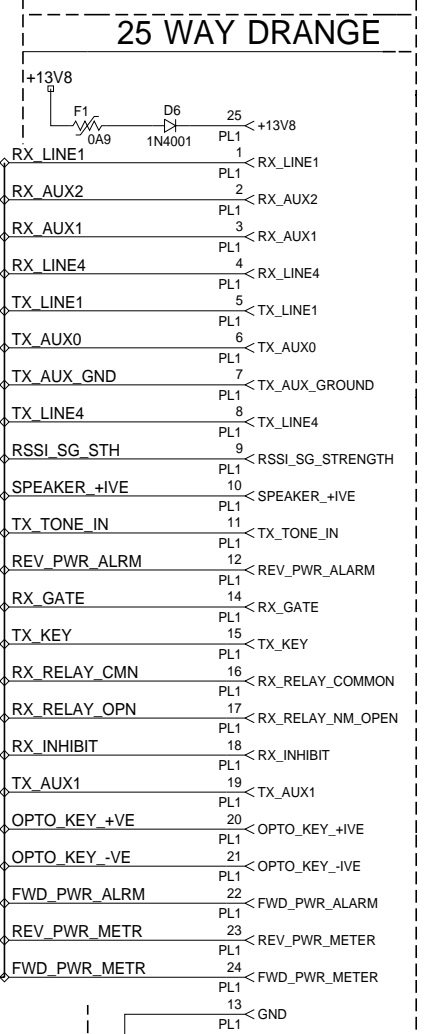
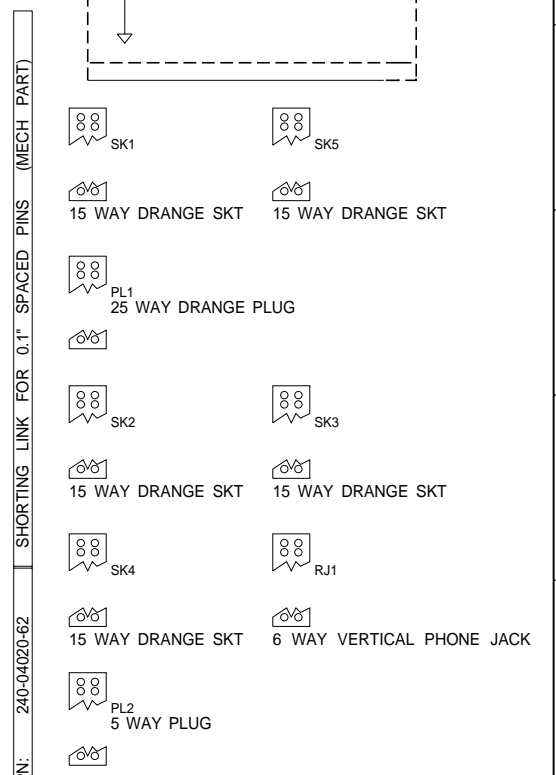


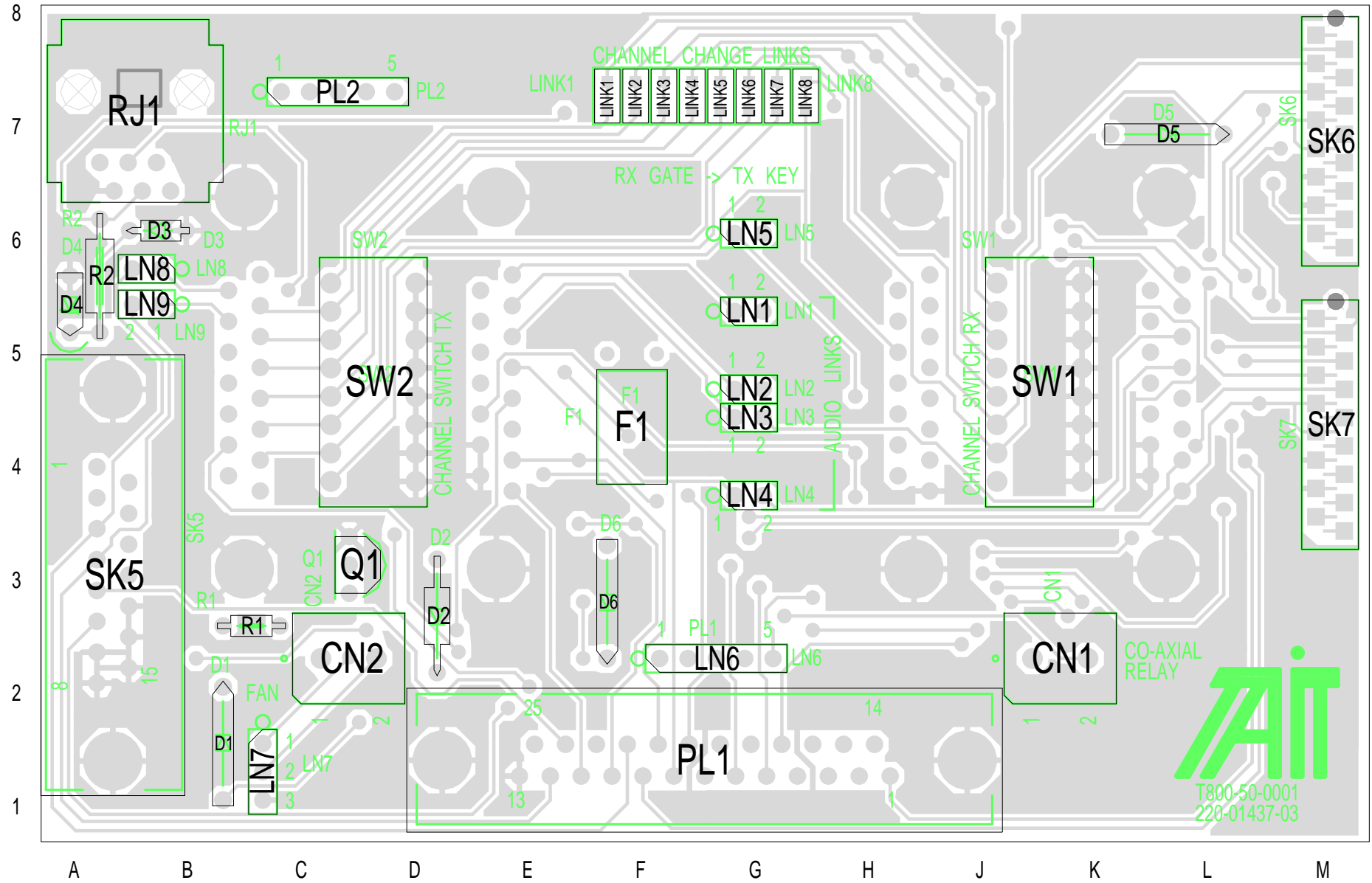
3A	ADDED LN 8 AND LN 9	SSAHI				19/05/99
2A	TRANSFERRED INTO UNICAD	SSAHI				03/11/98
0A	ORIGINAL	CHRIS O				
REV/ISS	AMENDMENTS	DRAWN	CHKD	D.O.	APVD	DATE

TAIT ELECTRONICS
BACKPLANE
T800-50-0001

IPN: 220-01437-03 ISSUE: A ID: 2.S.C. 1

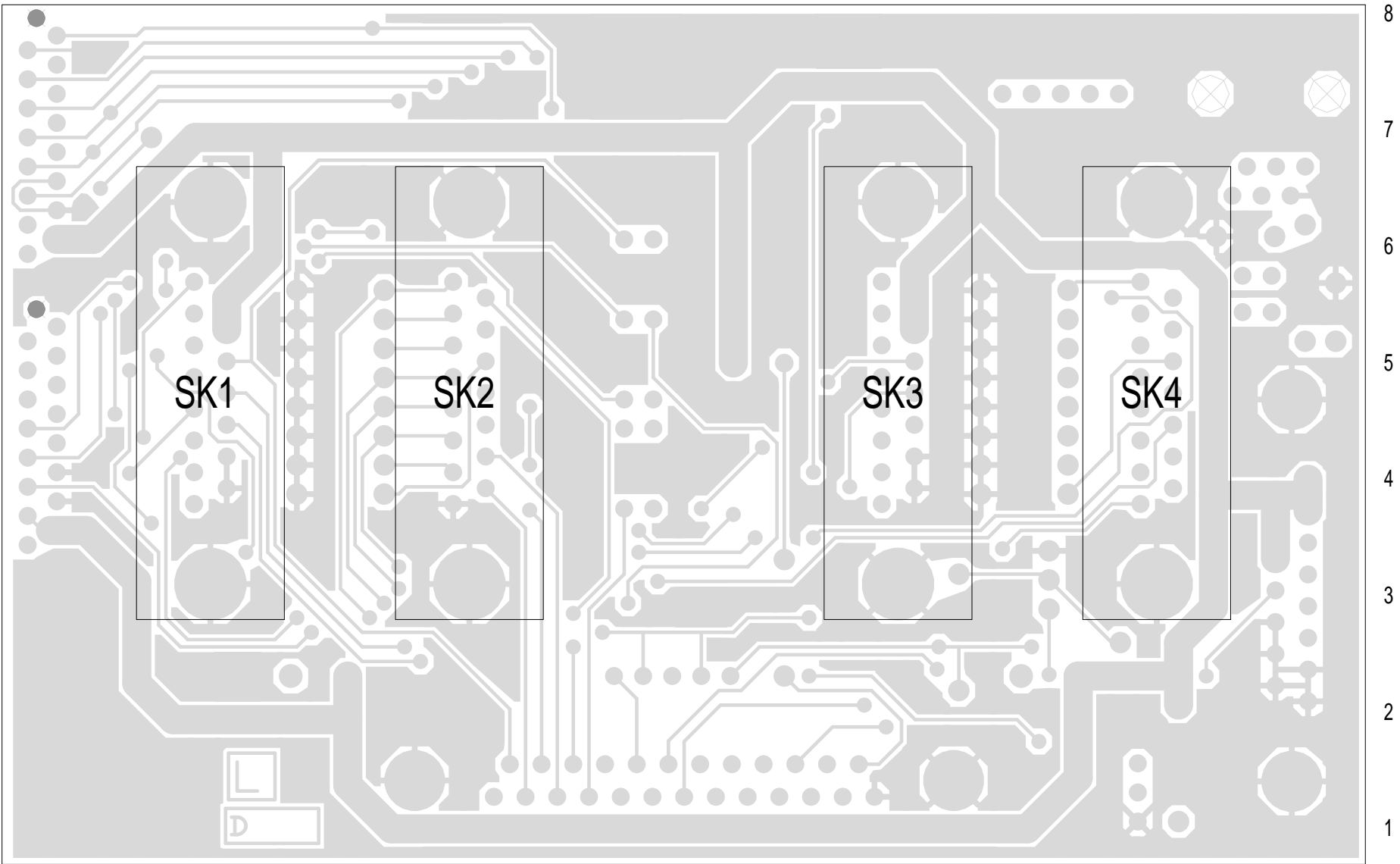
PROJECT: T800-50 DESIGNER: SSAHI FILE NAME: 143703A FILE DATE: 19-05-99 NO.SHEETS: 1





TAIT ELECTRONICS	IPN: 220-01437-03	ISS: 03	ID: 1.TA	DATE: 20 May 1999
T800-50-0001 PCB LAYOUT - TOP SIDE				

Scale: 2.0:1 ; Rotation: 0 degrees



8
7
6
5
4
3
2
1

M L K J H G F E D C B A

TAIT ELECTRONICS	PN:	ISS:	ID:	DATE:
	220-01437-03	03	2.BA	20 May 1999
T800-50-0001 PCB LAYOUT - BOTTOM SIDE				

Scale: 2:0:1 : Rotation: 0 degrees